

FLAVOR MACHINE[®]



MODEL FM 24

**MANUFACTURE BIG PROFITS
WITH THE FLAVOR MACHINE[®]**

Yogurt and Ice Cream Machine

Cash in on the booming designer frozen dessert business with the **FLAVOR MACHINE[®]**. Offer your customers a totally unique concept *..An unlimited choice of Natural Flavors!!*

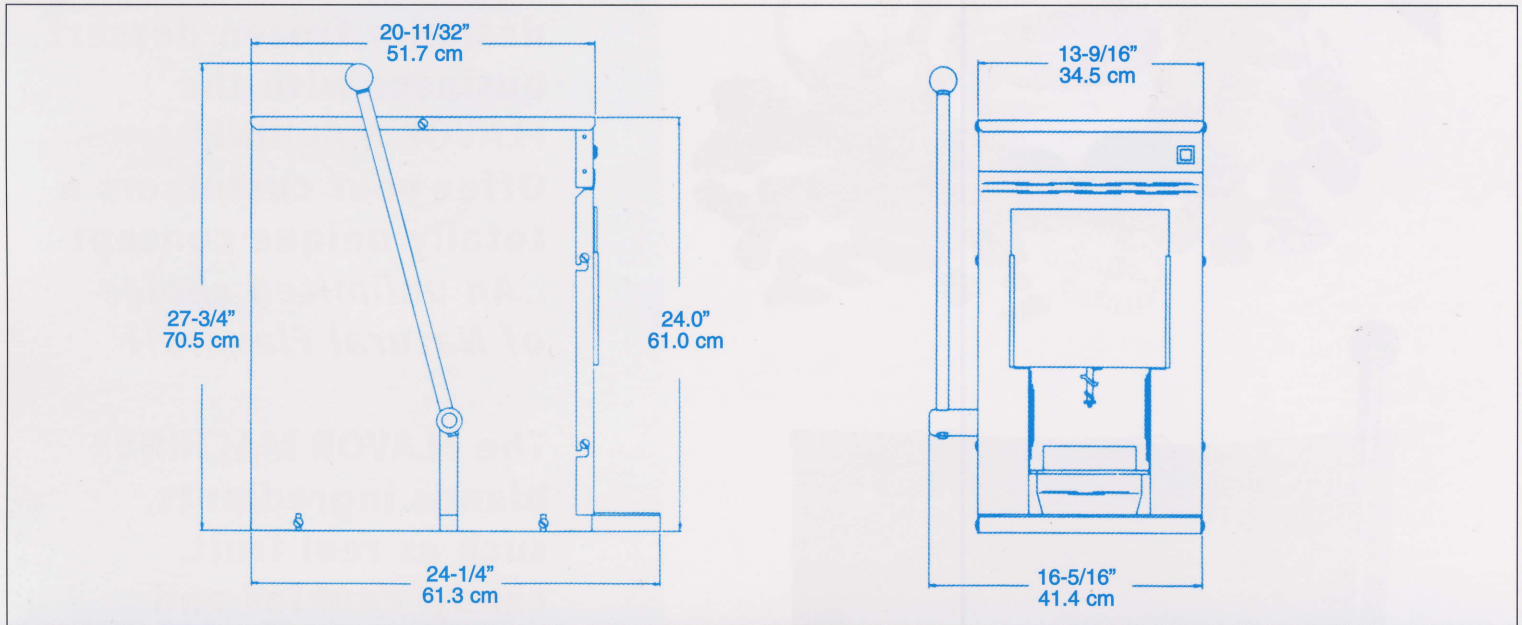
The **FLAVOR MACHINE[®]** blends ingredients, such as real fruit, candy, cookies and nuts, with frozen yogurt or ice cream. The finished dessert is a natural, fresh new flavor, specially created for your customer in just seconds.

Earn big profits at a fraction of the usual start-up cost with the **FLAVOR MACHINE[®]**





YOGURT AND ICE CREAM MACHINE



SPECIFICATIONS MODELS FM 24

ELECTRICAL - 115 VOLT, 60 HZ, 15 AMP
 DRIVE MOTOR - 1HP., HEAVY DUTY
 BALL BEARING

CABINET - STAINLESS STEEL
 OPERATING MECHANISM - STAINLESS STEEL AND
 HEAVY DUTY ALUMINUM

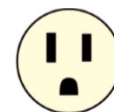
AUGER ASSEMBLY - STAINLESS STEEL RINSE SWITCH (STANDARD) - INCLUDES STAINLESS STEEL SINK

MODEL	UNIT WT..	CARTONED WT.	HEIGHT
FM 24	123 lbs. (56 kg.)	155 lbs. (70.5 kg.)	24" (51 cm.)

FLAVOR MACHINE®

AVAILABLE FROM

SERVE CANADA
 40 EAST PEARCE STREET
 RICHMOND HILL, ONTARIO,
 L4B 1B7 CANADA
 TEL: (905) 731-0601
 TOLL FREE 1-(800) 263-1455
 FAX: (905) 731-7687
 WWW.SERVECANADA.COM



NEMA 5-15P